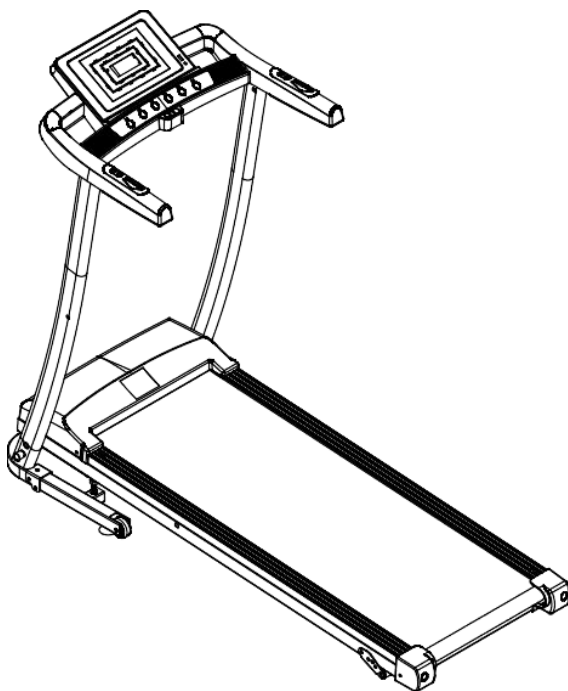


BODY FLEX[®]

RUN 1500

MOTORIZED TREADMILL



Art. BF4003

Please read this instruction carefully before using this product and keep it safe

1. Directory

Serial Number	Content
1	Directory
2	Safety Tips
3	Packing details
4	Assembly instructions
5	Electrical control instructions
6	Maintenance guidelines
7	General troubleshooting
8	Maintenance clauses
9	Exercise Notes
10	Warming exercise

Welcome to choose this home electric treadmill made-in-china, our products will improve your health, the more familiar you are with this treadmill, you will find it easy to use, so we ask you read this manual carefully before using. All parts of this machine are made of high quality materials, and after strict inspection & testing, the product quality can be guaranteed to the greatest extent. Refer to this manual to guide you to install, use and maintain this machine correctly.

2. Safety tips

This machine is designed and manufactured to consider a lot of safety issues, in order to ensure your safety, before operating this machine, be sure to read all the contents of this manual, just in case. We do not bear the consequences of any abnormal operation.






⚠ Danger

Do not hold heart rate devices and other wireless heart rate devices at the same time, otherwise it will cause electrical interference.

Warning

1. Before using this machine, please ensure that the machine is fully grounded to avoid accidents and hazards
2. When running, please clip the safety lock (red) clamp in the appropriate position of the clothes to facilitate the emergency to pull off the safety lock and stop the machine to ensure safety.
3. a、consult your health care doctor before exercise.,
b、wear suitable sportswear for exercise.
c、the room to keep clean and tidy, to avoid electrostatic adsorption into the treadmill, resulting in machine operation failure.
4. This product is for one person at run time. Do not let children or pets play nearby to avoid accidents. The minimum spacing requirement (i.e. distance from wall and furniture) is not less than 100 for front and side respectively CM, and 200 CM. For rear.
5. .If the power cord is damaged, do not use this machine.
6. If the machine is damaged and broken, do not use the machine, and immediately contact the local dealer for maintenance.
7. Do not touch any parts in motion by hand, and do not press or plug any objects into the machine.
8. This machine is applicable to indoor household, not in outdoor and gym use.
9. Please place the machine on a clean and flat ground, keep the ventilation condition of the machine in good condition, make sure there are no sharp items nearby, do not use it near the water source and heat source.
10. Please use handrails when up and down the machine, when the walking machine is not completely stable, do not get off the machine. If you need an emergency jump, you must unplug the safety lock:the treadmill stops immediately.
11. Do not operate the machine when the exerciser is using oxygen equipment or spray near the machine.
12. In order to maintain the normal operation of the machine, do not install any accessories provided by the factory.
13. All parts of the machine must be firmly installed.
14. After using the treadmill, please turn off the power and unplug in time.

3. Packing details

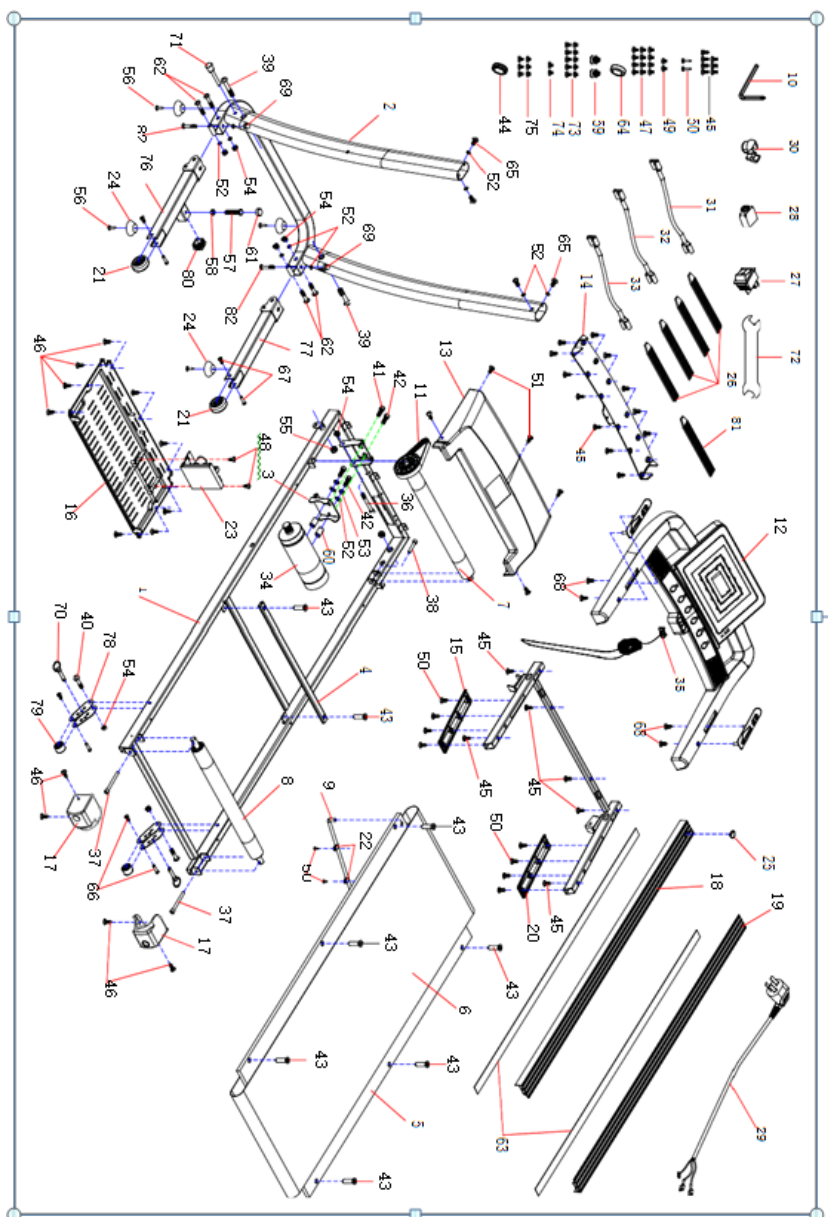
Serial number	Components	
1	Main frame	
2	Electronic watch frame	
3	Base edge tube	
3	Instructions	
4	Screw bag	

Accessories

Serial number	Components	Qt'y
A	Safety Key	1pcs
B	6 mm Hexagon wrench	1pcs
C	Lubricating oil	1 bottle
D	M8*16 semi-round head hexagonal bolts	4pcs
E	M8 flat washer	10pcs
F	M8*55 Hexagon socket head bolts with semi-round head	4pcs
G	M8 Hexagonal lock nut	4pcs
H	Open-end wrench 13-14 (thickness 2.5mm)	1pcs
I	5mm Allen Wrench	1pcs
J	M8*16 external hexagon bolts	2pcs
K	latch	1pc

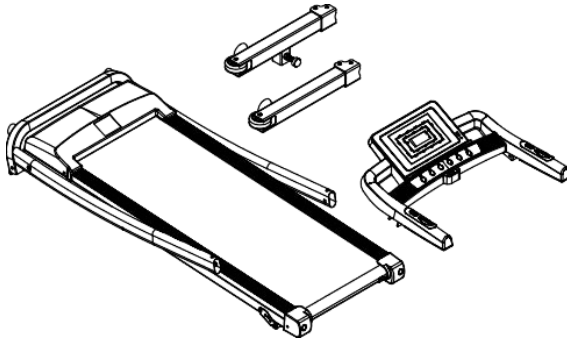
NO.	Name	Specification	Qty	NO.	Name	Specification	Qty
1	Base frame		1	42	Cylindrical head hexagon bolts	M8*25 full tooth electrophoresis black with 5mm spanner	3
2	Upright tube		1	43	Countersunk head internal angle bolts	M6*20 full tooth electrophoresis black	8
3	Motor base		1	44	Ring-shaped wire-guard plugs		2
4	Running board support tube		1	45	Phillips pan head tapping screws	ST4.0*16 full tooth electrophoresis black	25
5	Running board	t12*497*1025	1	46	Cross washer head tapping and self-drilling screws	ST4.2*16 Full tooth Electroplated black	11
6	Running belt	t1.4*403*2325	1	47	Crossed pan head tapping screws	#2.3*6 full tooth white zinc plated	13
7	Front roller	80*φ42*435*φ15*464*M8Electrophoresis	1	48	Cross washer head tapping screws	ST4*16 Full tooth Electroplated black	2
8	Rear roller	φ42*430*φ15*487*2-M8Electrophoresis	1	49	Cross washer head tapping screws	ST2.8*8 full tooth white zinc plated	4
9	Refueling pipe	φ8*10.92*230 Need to curved	1	50	Crossed pan head tapping screws	#4*10 full teeth electrophoresis black	10
10	Allen wrench	6#.90*90mm One end cross tip galvanised	1	51	Cross washer head tapping screws	ST4*10 full teeth electrophoresis black	5
11	Multi-ribbed belt	J140 (356) 4groove 5peak black	1	52	Flat washers	φ8*φ16*1.2	12
12	Electronic watch upper cover	616*539*123	1	53	Spring washers	φ8.1*φ12.3*T2.1	2
13	Motor upper cover	509*231*75	1	54	Hexagon lock nuts	M8 opposite side 13	7
14	Electronic watch lower cover	500*99*35	1	55	Hexagon lock nuts	M10	2
15	Left handle bar rear cover	198*43*65	1	56	Cross washer head tapping and self-drilling screws	ST4.2*19 full tooth electrophoresis black	2
16	Motor lower cover	495*233*42	1	57	Hexagon bolts	M8*50 full tooth electrophoresis black	1
17	Rear protector cover	5*71.5*81(Left and right)	1pair	58	Hexagon nuts	M8	1
18	Left-side plastic trim	24*50*1044	1	59	Crossed pan head triple combination bolts with flat washers and spring washers	M4*12 Full tooth White zinc plated	2
19	Right-side plastic trim	24*50*1044	1	60	Limit spacers	#13*#8.2*10 Electroplated black	2
20	Right handle bar rear cover	198*43*65	1	61	Caps for bolts	with external hexagonal bolt head M8 (opposite side 13)	1
21	Transport wheel	φ50*φ8.2*22	2	62	Hexagon bolts with semi-round head	M8*55 half tooth Electroplated black with 5mm spanner	4
22	R clamp	UC-0 white	2	63	Double-sided adhesive		2
23	Controller	Optional 110V/220V	1	64	Magnetic rings		1
24	Conical foot pad	φ43*φ23*φ4.5*16	8	65	Hexagon socket head bolts with semi-round head	M8*16 full tooth electroplated black with 6mm spanner	4

25	Refueling decorative cover	With ϕ 16.5round hole	1	66	Butt lock screws	M8*25-M6*12	2
26	Cable ties	2*150	4	67	Counter lock screws	M8*35-M6*12	2
27	Power switch	15A/250V With red light	1	68	Cross countersunk head self-tapping screws	4*35	4
28	Overload protector	Input 220V:6A,125/250VAC	1	69	Cap nuts	M8 opposite side 13	2
29	Power cable	3*0.75mm ² 10/15A 250V Black Length1500mm	1	70	Pull ring latch	ϕ 8*38	2
30	Power cable clasp	6N-4 black	1	71	Conical latch	ϕ 8*50	1
31	Single line	3*1.0mm ² 10/15A Length200mm	1	72	Open-end spanners	13-14	1
32	Single line	3*1.0mm ² 10/15A length200mm	1	73	Cross washer head tapping screws	ST2.8*8	10
33	Single line	3*1.0mm ² 10/15A length100mm	1	74	Cross washer head tapping screws	ST2.3*10	2
34	DC motor		1	75	Cross washer head tapping screws	ST2.3*8	6
35	Safety key	42*16*14	1	76	Base frame left tube		1
36	Cylindrical head hexagon bolts	M8*90 half tooth electroplated black with 6mm spanner	1	77	Base frame right tube		1
37	Cylindrical head hexagon bolts	M8*90 full tooth electroplated black with 6mm spanner	2	78	3-step manual incline		2
38	Cylindrical head hexagon bolts	M8*40 half tooth electroplated black with 6mm spanner	1	79	Adjustment wheel	ϕ 28* ϕ 8.2*20	2
39	Hexagon socket head bolts with semi-round head	M10*80 half tooth electroplated black with 6mm spanner	2	80	Square inner tube plug	With 30*30*T1.5 tube	1
40	Hexagon socket head bolts with semi-round head	M8*35 half tooth electroplated black with 5mm spanner	2	81	Cable ties	5*300	1
41	Cylindrical head hexagon bolts	M8*35 full tooth electroplated black with 5mm spanner	1	82	Hexagon socket head bolts	M8*50 half tooth electroplated black with 5mm spanner	2

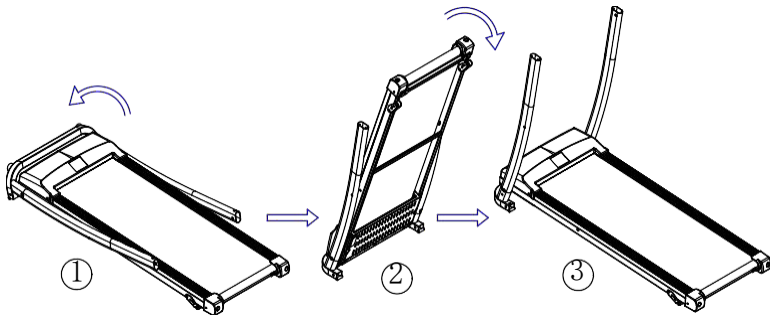


Assembly instructions

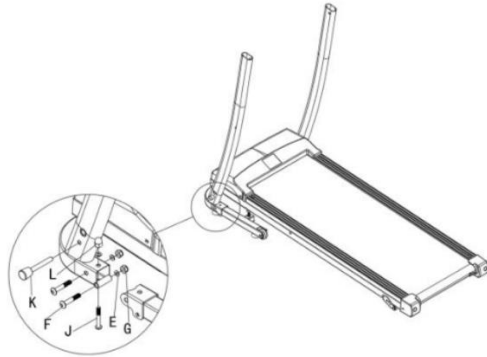
Step 1: Take out main frame and electronic watch from the carton and open the bundling harness of the treadmill frame.



Step2 : Unfolding the frame: When unfolding, please stand the machine up in the direction of the arrow (as shown in Figure 1), and then place the frame flat on the floor in the direction of the arrow (as shown in Figure 2 and Figure 3).

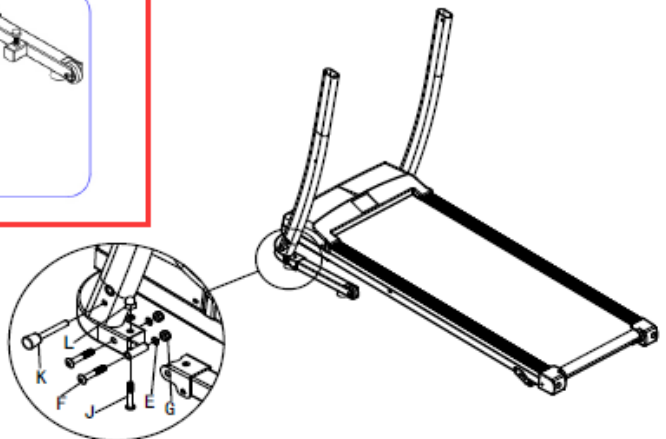
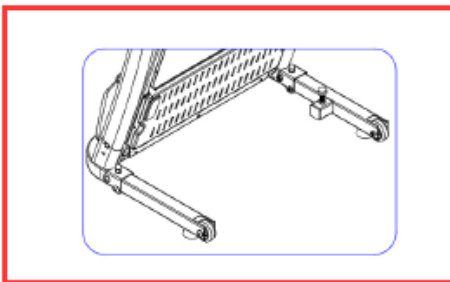


Step 3 : Put the base frame side pipe into the base frame in the direction of arrow, and fix the F# semi-round head hexagonal bolts (4), G# hexagonal lock nuts (4) and E# flat washers (4) on the base frame, then fix the base frame side pipe and base frame with J# hexagonal screws (2) and E# flat washers (2), and insert the K# pins from the bottom of the column into the holes of the iron sheet at the front end of the running table (as shown in the figure).

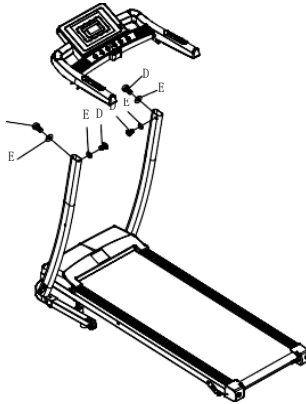


Note: B#6mm hexagonal wrench and I#5mm hexagonal wrench are needed here

Put on right position base frame like on the pictures

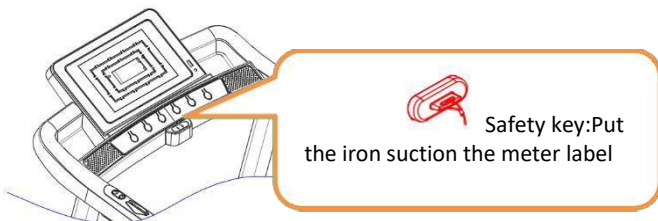


Step 4: Attach the side cover to the upright tube and base frame with Flat Washer E#M8(4pieces),D#M8*16(4pieces).



Step 5: Before use: press the start button while the electronic watch is turning on the treadmill start to work.

Note: the safety key must be placed on the yellow sticker position in the middle of the meter, the treadmill can start to work normally; if the electronic watch window shows "E07", the safetykey is not placed or not in place.

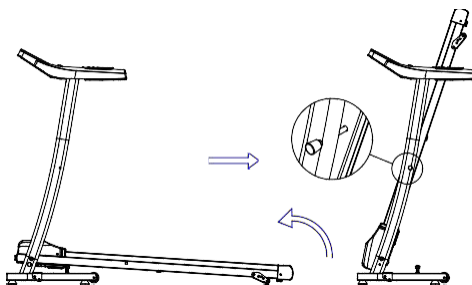


Emergency stop function: when the safety key is off power, the power lead is disconnected and the weak part keeps the power supply. The operation is not controlled by software.

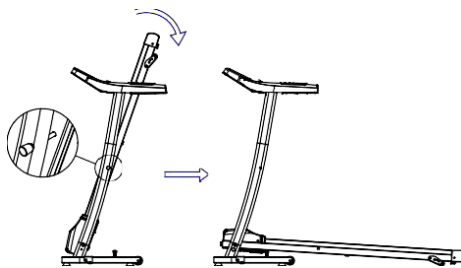
For your safety, be sure to use the safety key while training exercise.

Please note: Tight all screws after confirming that all the screws are installed in accordance with the above requirements, and check if there are omissions before you connect to the power lead.

Step 6: treadmill folding: when you need to carry or not use this treadmill for a long time, please follow the below introduction. Stand behind the treadmill and begin to raise the deck in the direction of arrow. Hold the frame, pull out the spring pull pin (shown as below photo) put down the running board until you hear a “click” it is finished.



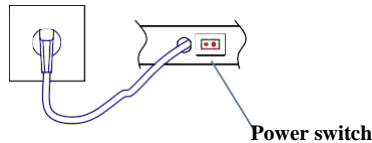
Treadmill unfolding: Pull out the pull pin rod on the column by hand, you can unfold the treadmill.



Electronic control operation instructions

Using the treadmill

1. Ensure that the power lead is plugged into a suitable, live, mains socket. Turn on the power switch(red).
Enter manual mode: After the electronic power meter-wide display, enter the initial standby mode, then press the start button, enter to manualmode.



2. Safety key illustrate:

Attach the SAFETY KEY to the console before turning the machine on. Attach the clip to your clothing at your waist before beginning your workout. If the SAFETY KEY disconnects during use, the treadmill will slow down and stop,you can pull the safe key for the machine's sudden stop under the dangerous condition. Then you will not be injured. If you need to reuse the machine, you could put safetykeyon.

Program guideline

3. Window display



4. turn on the power
Start normally after 3 seconds.
5. Number of programs
3 manual programs ,12 automatic programs.
6. Safety key function
Unplug the safety key and window display "E7" the treadmill stop running, and beep alarm sound appears, the electronic watch display 2 seconds when put on the safety key, all data zero.
7. Key function.
 - 7.1. Start key, stop key:
Start key, in the treadmill stop state, press start key, speed display "1 km ", treadmill start. Stop key, in the treadmill running state, press stop key, all data clear, treadmill stop back to manual mode, treadmill

stop.

Press the “start” button, treadmill start to running, speed window show 1km. Press the “stop” button, all data clearing and will record from zero, treadmill will stop slowly and return to manual mode.

7.2. Program key:

When standby, press this key to cycle from manual mode to automatic mode P1—P12; manual mode is the default running mode of the system.

7.3 Mode key:

When standby, press this key to select 3 different count backwards time under. time ,distance, calories modes, adjust the setting by the key “speed +” & “speed - ”, press “start” key to enter the mode and treadmill start running.

7.4 Speed reduction key

It can be used to adjust the setting value of speed e when setting the parameters for the treadmill. The treadmill can be used to adjust the speed, automatically increase or decrease by 0.1km each time when continuously pressing for more than 2 seconds. The handlebar including the two button.

8. Display function

8.1. Speed display

Display the speed value of the current run.

8.2. Time display

Display count backwards time under manual mode and program.

8.3. Distance display

Display count backwards distance and distance accumulation under manual mode and program.

8.4. Calorie display

Display count backwards Calorie and Calorie accumulation under manual mode and program.

9. Automation Programs

Each program segment is divided into 10 segments, and the running time of each program segment is equally allocated. The following is a moving diagram of 12 programs.

Time Program		Set time / 10 = the time on each segment									
		1	2	3	4	5	6	7	8	9	10
P1	SPEED	3	3	6	5	5	4	4	4	4	3
P2	SPEED	3	3	4	4	5	5	5	6	6	4
P3	SPEED	2	4	6	8	7	8	6	2	3	2
P4	SPEED	3	3	5	6	7	6	5	4	3	3
P5	SPEED	3	6	6	6	8	7	7	5	5	4
P6	SPEED	2	6	5	4	8	7	5	3	3	2
P7	SPEED	2	9	9	7	7	6	5	3	2	2

P8	SPEED	2	4	4	4	5	6	8	8	6	2
P9	SPEED	2	4	5	5	6	5	6	3	3	2
P10	SPEED	2	5	7	5	8	6	5	2	4	3
P11	SPEED	2	5	6	7	8	9	10	5	3	2
P12	SPEED	2	3	5	6	8	6	9	6	5	3

10. Parameter setting under 3 modes

The count backwards time initially set at 10:00 minutes, with a range of 20:00-99: 00 minutes and a step of 1:00.

The count backwards calorie is set to 50 kcal, the range is 10-990 kcal, step 10.

The count backwards distance is set to the initial distance, the range is 1.0-99.0 km, step 1.0. Switching order is: manual, time, distance, calories.

11. Other

After a count backwards parameter is finished, the display screen displays END ,0.5 seconds alarm every 2 seconds until the treadmill stops and then returns to manual mode.

If you set a parameter, you can set cycling, for example, the time range is 5:00-99:00. When you set it to 99:00, press the "+" button and return to 5:00 to cycle. Add and subtract with the "+- " symbol.

The count backwards time, the count backwards calorie,the count backwards distance can only set one mode, run according to the last setting, set the count backwards parameters, others show count forward parameters.

12. Function options

Please operate the following corresponding instructions according to the function of the purchased treadmill.

Heart rate measurement function (if you buy the treadmill with heart rate measurement function, please refer to this operation)

In the case of treadmill power, hold the heart rate piece for 5 seconds with heart rate display, the initial value is the actual measured heart rate, the display range is: 50-200 times / min. Test heart rate process, need a few seconds waiting time. The data is for reference only and cannot be taken as medical data.

Bluetooth shared music (if you buy the treadmill with Bluetooth music function, please refer to this operation)

Turn on the treadmill power switch, use the phone to manually search for Bluetooth devices (DP), find the Bluetooth device and click on the connection, after successful connection, play themusic on the phone can be transmitted to the amplifier device on the treadmill through Bluetooth to play.

MP3 music function (if you buy the treadmill with MP3 music function, please refer to thisoperation)

Plug one end of the spring cable into the cell phone port and the other end into the MP3 port and then play music with the cell phone software.

USB function (if the treadmill you bought is with USB function, please refer to this operation) Connect one end of the cell phone data cable to the cell phone and insert the other end into the USB port.

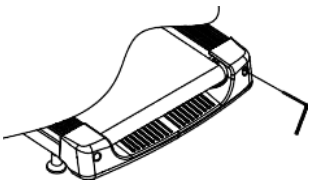
Maintenance guidelines

Proper maintenance can always keep your treadmill in the best condition; wrong maintenance can hurt or shorten the life of the treadmill.

Warning:

Be sure to unplug the treadmill before cleaning or maintaining the product!

1. Regular dust removal to keep components clean
2. After each use of the treadmill, wipe the clean instrument and other parts of the sweat and debris with a clean towel or cloth. Please be careful not to splash water on the electrical components and under the running belt.
3. Please put your treadmill in a clean, dry environment, make sure the power is off and the plug has been unplugged.
4. To facilitate movement, the treadmill is equipped with wheels. Please make sure to disconnect the power and fold the fuselage before moving.
5. Always check and lock all parts of the treadmill; parts of the damaged ring shall be replaced immediately.
6. In order to better maintain and prolong the life of the treadmill, it is recommended that you keep the treadmill for 10 minutes after 30 minutes of continuous use.
7. The running belt has been adjusted when it leaves the factory, but after use, the running belt will be stretched and will deviate from the center position to cause friction edge strip and rear cover damage. The running belt is forced to stretch during use. After a period of time, if you are using the treadmill, you can adjust the tightness of the running belt to improve.



A. Run belt elastic adjustment

If the running belt is too loose, insert the randomly presented hexagonal wrench into the adjusting hole of the left foot of the treadmill, rotate 1/4 laps clockwise, and then rotate 1/4 laps clockwise to the right foot. This can tighten the running belt and the running belt will not deviate from the center point. If the running belt is too tight, the left and right synchronization counterclockwise adjustment.

A. Adjust running belt alignment

When you use the treadmill, the pressure on the running belt is unbalanced because the two feet are not the same when running, resulting in the running belt deviating from the center. This deviation is normal, and when no one runs on the running belt, it automatically returns to the center. If you can't get back to the center, you need to run back to the center.

Run the treadmill without load, speed to the sixth gear, observe the distance from the running belt to the

left and right side bars:

- if left, use a hexagonal wrench to clockwise rotate the left screw 1/4lap;
- if to the right, use a hexagonal wrench to rotate the right screw 1/4 lap clockwise;
- if the running belt is still not in the middle, repeat the above action until adjusted to the middle.

After adjusting the running to the middle, adjust the speed to the sixth gear, and observe the deviation of the running belt and the smooth running. If there is any deviation, repeat the adjustment steps.

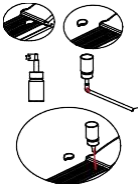
Warning:

Please do not over tighten the roller! This will cause permanent damage to the bearing!

8. Lubricating oil

The treadmill is lubricated when it leaves the factory, but it is often tested for lubricity, which helps the treadmill to stay in its best use. The treadmill must be lubricated after one year or 100 hours of operation.

After 30 hours or 30 days of use, in the treadmill static state, pull up the running belt 13 from the side to touch the platform surface as far as possible, if you feel the lubricating oil, you do not need to add lubricating oil; If you touch the surface with a strong sense of dryness, follow the following instructions for refueling. (Use non-oil lubricants)



How to add lubricating oil, please follow the following way to operate, open the left from side of the edge bar refueling decorative cover, with scissors or knife to cut the lubricating oil bottle according to the size of the drawing, and then press the bottom icon refueling, Please pay attention to inserting the rod in the oil pipe on the platform.

General failures and troubleshooting

1. Electronic display error code and exclusion

Fault code	Fault Description	Fault handling
------------	-------------------	----------------

E01	Abnormal communication: abnormal communication between power up and down control and electronic meter	Lower control shutdown into fault state. Can not boot operation. The electronic meter shows the fault code and the buzzer rings 3 times. Possible reasons: electronic control and electronic meter communication blocked, check the electronic meter to the lower control communication line of each section of the connection, to ensure that each core is fully inserted. Check that the connection between the electronic meter and the controller is damaged and replace the connection and electronic meter.
E02	Indicates that the controller did not detect the voltage above the motor	Check that the motor line is firmly connected to the control terminal.
E05	Overcurrentprotection: in therunning state,the DC motor current is detected continuously for more than 5 seconds	Stop into the fault state, electronic meter buzzer ring 9, at the same time display fault code, the rest of the area does not display content. Maintain fault state about 10 seconds after entering standby state, can restart. Possible reasons: over rated load leads to excessive current, system self-protection, or a part of the treadmill is stuck, resulting in the motor can not turn, heavy load, too large current, the system self-protection; Adjust the treadmill to restart. The other is to check whether the motor is running with over current sound or charred smell, to replace the motor; or to check whether the controller is charred smell, to replace the controller; or to check whether the power supply voltage specification is inconsistent or low, Re-test with the correct voltage
E07	Indicates that the electronic meter does notdetect a security lock signal	Magnetron damaged, magnetron installation position is correct, magnetron is placed.

2. Frequently Asked Questions and Exclusion Methods

1. some or all of the keys are not working

1.1 Open the upper shell of the electronic watch and test whether the keys arenormal;

1.2 Check or replace electronic watch boards;

1.3 Whether the button can be used normally afterre-energizing.

2. Electronic display

Exclusion guidelines:

2.1 Check that the input voltage is within the allowablerange;

2.2 Check that the switch on the running machine ison;

2.3 Check that the fuse in the power outlet is fused. If fused, replace it with a sparefuse;

2.4 Check the controller to see if the LED lights areon;

2.5 Check the connection lines;

2.6 Inspection or replacement of electronic watch boards;

2.7 Check or replace the lower control circuit board.

3. Other issues and exclusions a.Treadmill can't start

Check that the power plug is plugged in, the power switch is turned on, and the safety switch is removed. b.Treadmill skid

Refer to the instructions and adjust the running belt. c.Running belt

Refer to the instructions and adjust the running belt in the middle. d.Operation noise

Check that the machine screws are loose and that the running belt needs lubricating oil.

Maintenance terms

1. Non-artificial damage that occurs during normal use of the product under the condition of correct use and maintenance.

2. The following terms are not covered by warranty

a.Damage caused by abuse, negligent use, accident or unauthorized modification;

b.Damage caused by improper adjustment of the running belt and drive belt;

c.Damage caused by abnormal maintenance;

d.Other illegal operations and resulting damages.

3. This warranty is only valid for private use at home, not for professional training situations such as gyms.

Practice Notes

● consult your doctor before starting a sports or training program, follow your doctor's advice and guidance.






● set exercise goals after consulting your doctor to ensure that the plan is realistic and starts the training plan calmly.

● you can add some aerobic exercise to your exercise plan, such as walking, jogging, swimming, dancing or cycling. Always check your pulse. If you don't have an electronic heartbeat monitor, ask your doctor how to measure your pulse by hand from your wrist or neck. In addition, you must set the target heartbeat rate based on annual fitness and physical goodness.

● Drink plenty of water during exercise. You must replenish the water lost by excessive exercise to prevent dehydration. Avoid drinking large amounts of ice water or drinks, drinking water or drinks at room temperature.

Warming

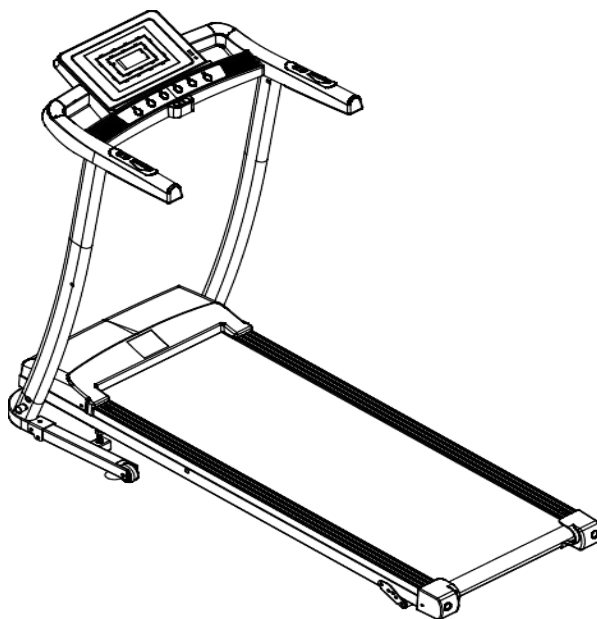
Warming and soothing exercise: A successful exercise program must include warm-up, aerobic and soothing exercise. Exercise at least two to three times a week, exercise a day off, a few months later, you can increase the number of exercise to a Thursday to five days. Warming is a very important part of your fitness exercise. Warm your body before each exercise. Moderate warming can prepare your body for the next more intense exercise, because warming up can help your muscles warm up and stretch, improve blood circulation, your pulse, and send more oxygen into your muscles. After aerobic exercise, repeated warming can also reduce muscle soreness. We recommend the following warm-up and soothing exercises.

<p>1. Stretch down: Bend your knees slightly, bend your body slowly forward, relax your back and shoulders, and touch your toes as much as possible. Hold for 10-15 seconds, then relax. Repeat 3 times.</p>	 <p>Pic 1</p>
<p>2. Hamstring Stretch: Sit on a clean cushion, straighten one leg, and then close the other leg to the inside of a straight leg, and touch your toes with your hands. Hold for 10-15 seconds, then relax. Repeat each leg three times.</p>	 <p>Pic 2</p>
<p>3. Leg and heel tendon extension: Hold the wall or stand with both hands, one foot behind, keep the hind leg upright, heel to the ground, tilt towards the wall. Hold for 10-15 seconds, then relax. Repeat 3 times for each leg.</p>	 <p>Pic 3</p>
<p>4. Quadriceps: Hold the balance with your left hand on the wall or table, then extend your right hand back, grab the right heel and slowly pull to the hip until you feel the muscles in front of your thighs are tight. Hold for 10-15 seconds, then relax. Repeat each leg.</p>	 <p>Pic 4</p>
<p>5. Sartorius muscle(inner thigh muscle)extension: The soles of the feet were opposite, the knees sat out, and both hands grabbed the feet and pulled in the groin direction. Hold for 10-15 seconds, then relax. Repeat 3 times.</p>	 <p>Pic 5</p>

BODY FLEX®

RUN 1500

МОТОРИЗИРАНА БЯГАЩА ПЪТЕКА



арт. BF4003

Прочетете внимателно тази инструкция, преди да използвате този продукт, и я пазете!

▲ Внимание

Не дръжте едновременно устройства за измерване на сърдечен ритъм на пътеката и други безжични устройства за измерване на сърдечен ритъм в близост, в противен случай това ще причини електрически смущения.

ИНСТРУКЦИЯ ЗА РЪКОВОДСТВО И БЕЗОПАСНОСТ

Смята се, че измерванията, направени от оборудването, са относително точни, но не могат да се използват като медицински измервания.

Преди да използвате този продукт, моля, консултирайте се с личния си лекар за пълен физически преглед. Честото усилено упражнение трябва да бъде одобрено от Вашия лекар. Ако някакъв дискомфорт се дължи на употребата на този продукт, спрете да спортувате и се консултирайте с вашия лекар. Правилното използване на тази пътека е от съществено значение.

Моля, пазете всички деца и домашни любимци далеч от оборудването по време на употреба и когато оборудването е без надзор. Уредът не е предназначен за използване от малки деца или немощни лица без надзор. Малките деца трябва да бъдат контролирани, за да се гарантира, че те не играят с уреда.

Винаги носете подходящо облекло, включително маратонки, когато спортувате. Не носете свободни дрехи, които биха могли да ви хванат по време на тренировка.

Уверете се, че всички болтове и гайки са затегнати, когато се използва оборудване и ги проверявайте и затягайте преди тренировка.

Необходима е периодична поддръжка на цялото оборудване за упражнения, за да се поддържа в добро състояние.

ИНСТРУКЦИИ ЗА БЕЗОПАСНОСТ

Спазвайте следното преди да използвате пътеката за бягане:

ОПАСНОСТ: За да намалите риска от токов удар, моля, Винаги изключвайте уреда от непосредствено след употреба и преди почистване, сглобяване или обслужване.

- Никога не оставяйте бягащата пътека без надзор, когато е включена. Изключете, като изключите главния превключвател на захранването и изключване от контакта.
- Никога не използвайте тази пътека, ако има повреден шнур или щепсел, не работи правилно, ако е била изпусната или повредена или ако е била изложена на вода.
- Не се опитвайте да поддържате или регулирате по различен начин от описаните в това ръководство. Ако възникнат проблеми, преустановете използването и се консултирайте с упълномощения сервизен представител.
- Не използвайте на открито.
- Не работете там, където се използват продукти от аерозол (спрей) или където се прилага кислород.
- Не дърпайте бягащата пътека за захранващия ѝ кабел и не използвайте кабела като дръжка.
- Необходим е строг надзор, ако тази бягаща пътека се използва от или в близост до деца, хора с увреждания или домашни любимци.
- Поддържайте суха, не трябва да работи в мокро или влажно помещение или на открито. Запазете тези инструкции.
- Съхранявайте при температура от 8 до 28 градуса.
- Дръжте електрическия кабел далеч от нагряти повърхности.
- Никога не вкарвайте предмет в никакъв отвор
- Само един човек наведнъж трябва да използва машината.
- Използвайте Бягащата пътека само по предназначение, както е описано в това ръководство. Не използвайте закрепване, което не се препоръчва от производителя.
- Не поставяйте остри предмети около машината.
- Никога не работете с тази машина, ако не работи правилно.
- Бягащата пътека не трябва да се използва за медицински цели.

- Бягащата пътека е само за домашна употреба.
- Ако захранващият кабел е повреден, той трябва да бъде заменен от производителя, неговия сервизен агент или от подобно квалифицирани лица, за да се избегне опасност.

- Този уред не е предназначен за употреба от лица (включително деца) с намалено ниво

физически, сензорни или умствени способности или липса на опит и знания, освен ако не им е предоставен надзор или инструкции относно използването на уреда от лице, отговорно за тяхната безопасност.

- Дръжте бягащата пътека със страни най-малко 60см от стените и винаги оставайте на стабилна хоризонтална повърхност на празно пространство с размери 3 метра ширина с дължина 6 метра.

ВНИМАНИЕ: Свържете бягащата пътека само към правилно заземен контакт 220 волта с постоянно напрежение.

- Този продукт трябва да бъде заземен. Ако тя се повреди или се счупи, заземяването осигурява път с най-малко съпротивление на електрически ток, намаляващ риска от токов удар, * Тази пътека е снабдена с кабел, който има съединител за заземяване на оборудването и заземител. Щепселът трябва да бъде включен в подходящ контакт, който е правилно инсталиран и заземен в съответствие с всички местни кодове и наредби.

- Пазете ръцете от всички движещи се части. Никога не поставяйте ръцете, краката под протектора.

- Не използвайте бягащата пътека на килим и мека повърхност.

- Преди всяка употреба проверете дали бягащата лента е подравнена и центрирана и всички видими крепежни елементи на протектора са достатъчно затегнати и закрепени.

ПОДДРЪЖКА

- Преди да правите проверка на оборудването, уверете се, че захранването е изключено от електрическия контакт.

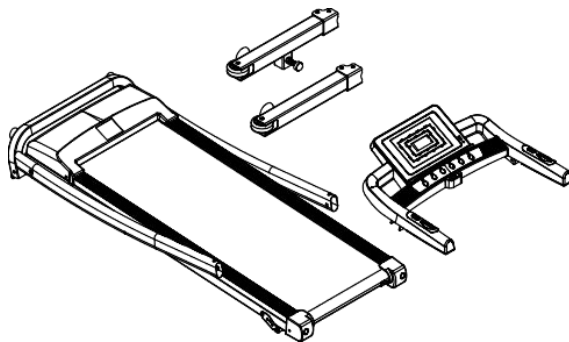
- След всяко тичане използвайте мека кърпа за почистване на машината

- Не реконструирайте и не разлагайте това оборудване. Всякакви дефектни компоненти, моля свържете се с вносителя и дръжте оборудването извън употреба, докато не бъде поправено.

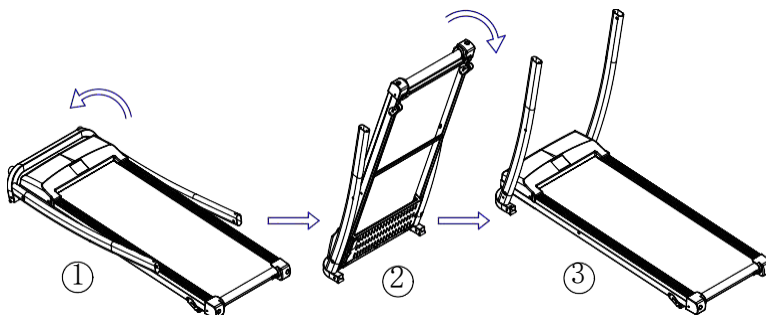
- Не пръскайте вода или течност и не се блъскайте в пътеката.
- Не скачайте при бягане.
- Без мокро почистване на електрически компоненти.
- Уверете се, че редовно проверявате продукта - препоръчва се поне веднъж седмично.
- Нивото на безопасност на това оборудване може да се поддържа само ако е редовно се преглежда за повреди и износване. Това включва всички гайки, болтове, подвижни части, втулки, колела, лагери и точки на свързване и др.
- Дефектните части трябва да бъдат сменени незабавно и оборудването не трябва да се използва до ремонт.
- Смазвайте редовно бягащата дъска.

Инструкции за сглобяване

Стъпка 1: Извадете основната рамка и монитора от кашона и отворете свързващите елементи на рамката на бягащата пътека.



Стъпка 2 : Разгъване на рамката: Когато разгъвате, моля, изправете машината по посока на стрелката (както е показано на Фигура 1) и след това поставете рамката плоско на пода по посока на стрелката (както е показано на Фигура 2 и Фигура 3) .

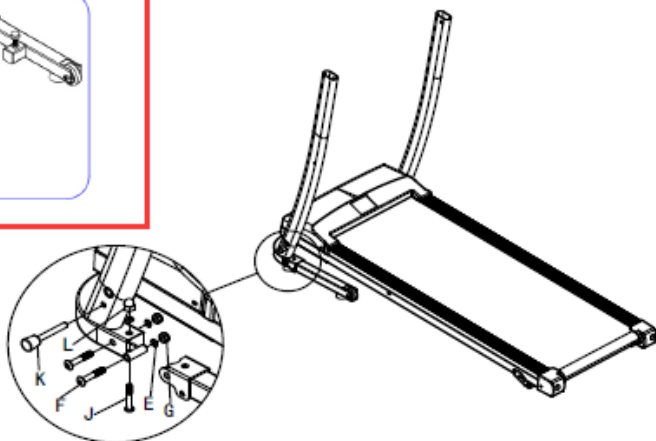
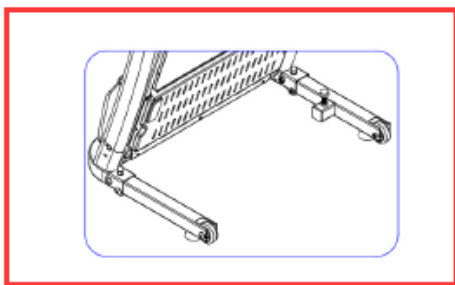


Стъпка 3 : Поставете страничната тръба на основната рамка в основната рамка по посока на стрелката и фиксирайте шестоъгълните болтове F# с полукръгла глава (4), шестоъгълните контрагайки G# (4) и плоските шайби E# (4) върху

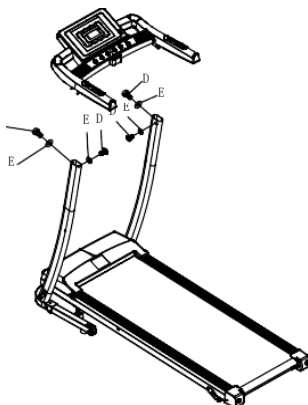
основна рамка, след това фиксирайте страничната тръба на основната рамка и основната рамка с J# шестоъгълни винтове (2) и плоски шайби E# (2) и поставете щифтовете K# (както е показано на фигурата).

Забележка: Тук са необходими шестоъгълен ключ В#6mm и шестоъгълен ключ I#5mm

Поставете в правилна позиция дясната опора, както е показано на снимката. Важно да се хоризонтира добре преди да затегнете болтовете.

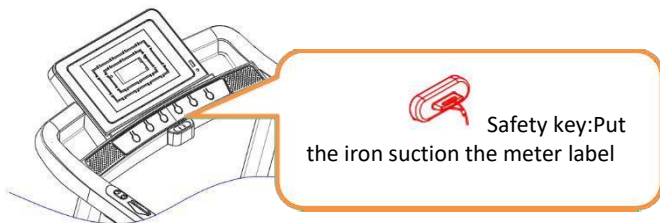


Стъпка 4: Прикрепете страничния капак към изправената тръба и основната рамка с плоска шайба E#M8 (4 части), D#M8*16 (4 части).



Стъпка 5: Преди употреба: натиснете бутона за стартиране, докато монитора се включи и бягащата пътека започва да работи.

Забележка: предпазният червен ключ трябва да бъде поставен на позицията на жълтия стикер в средата на измервателния уред, бягащата пътека може да започне да работи нормално; ако прозорецът на електронния часовник показва "E07", предпазният ключ не е поставен или не е на място.

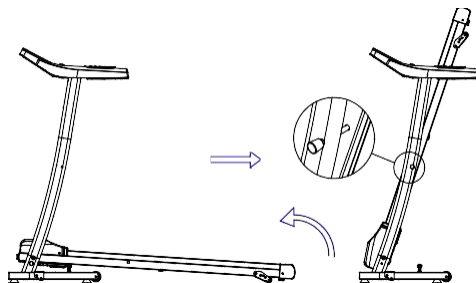


Функция за аварийно спиране: когато предпазният ключ е изключен, захранващият кабел се изключва и изключва захранването. Операцията не се управлява от софтуер.

За ваша безопасност не забравяйте да използвате ключа за безопасност, докато тренирате.

Моля, обърнете внимание: Затегнете всички винтове, след като потвърдите, че всички винтове са монтирани в съответствие с горните изисквания, и проверете дали има пропуски, преди да свържете захранващия кабел.

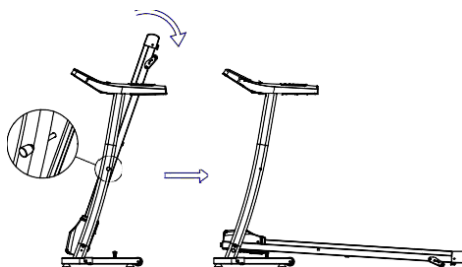
Стъпка 6: сгъване на бягащата пътека: когато трябва да носите или не използвате тази бягаща пътека за дълго време, моля,



следвайте въведението по-долу.

Застанете зад бягащата пътека и започнете да повдигате палубата по посока на стрелката. Дръжте рамката, издърпайте Щифта за издърпване на пружина (както е показано на снимката по-дол) оставете стъпалото, докато чуete „шракване” и е готово.

Разгъване на бягащата пътека: Издърпайте на ръка пръта на щифта на колоната и можете да разгънете бягащата пътека.



ДИСПЛЕЙ УПРАВЛЕНИЕ



БЪРЗ СТАРТ

Първо включете захранването в контакта, след това поставете червения ключ за безопасност на компютъра и включете превключвателя за захранване, който се намира в предната долна част на бягащата пътека.

На дисплея ще се покаже „0.0“, натиснете клавиша „Start“ на компютъра и лентата ще започне да се движи.

Лентата започва да се движи със скорост от 1,0 км / ч. Можете да натиснете клавиша „-“ или „+“, за да увеличите или намалите скоростта на движение по време на тренировка. Всяко увеличение или намаление ще бъде от 0,1 км / ч.

В режим на готовност, когато на дисплея е показано „0.0“, можете да натиснете бутона „Mode“, за да настроите данни.

ФУНКЦИИ НА КОНТРОЛНИЯ ПАНЕЛ

Прозорецът показва ПРОГРАМА / СКОРОСТ, ВРЕМЕ, ДИСТАНЦИЯ, КАЛОРИИ И ПУЛС.

Program / Speed: В състояние на задържане ще се покаже прозореца с програмите P1 ~ P12, P0 е "РЪЧЕН НАСТРОЙКА НА РЕЖИМ". P1 ~ P12 са "автоматичен режим". По време на тренировка обхватът на скоростта е от 1,0 км / ч до 12 км / ч.

TIME: Диапазонът на ВРЕМЕ е 0:00 ~ 99: 59.

DISTANCE: Показва изминатото разстояние от 0,0 ~ 99,9 км.

CALORIE: Показване изгорени калории е 0 ~ 999.

PULSE: Диапазонът на сърдечната честота е между 40 до 199. Прозорецът показва сърдечен ритъм, когато поставите двете си ръце върху сърдечните индикатори, разположени на дръжката по време на тренировка и ги задържите за 10 секунди.

ПРОГРАМИ

По програмен режим, предварително зададеното време на тренировка е 30 минути, 3 минути на интервал.

В края на упражненията

1. Извадете ключа за безопасност от конзолата.
2. Използвайте превключвателя за захранване отзад долу, за да изключите бягащата пътека.
3. Винаги позиционирайте и съхранявайте захранващия кабел добре.
4. Изключете захранващия кабел от електрическия контакт. Това е особено важно, ако няма да използвате бягащата си пътека за продължителни периоди.
5. Избършете цялата повърхност на бягащата пътека със суха или влажна кърпа, особено при изпотяване на кормилото, конзолата, бягащия колан или други компоненти на протектора.

СЪХРАНЕНИЕ

- Съхранявайте бягащата си пътека в чиста и суха среда. Уверете се, че превключвателят на захранването е изключен и е изключен от електрическата мрежа.
- Проверете цилиндъра (10) в заключено положение, преди да преместите протектора.
- Бягащата пътека е проектирана и оборудвана с колела (11) за лесна мобилност. Преди да се придвижи, уверете се, че превключвателят на захранването е в положение „ИЗКЛ.“ И захранващият кабел е изключен от електрическия контакт. Наклонете основната рамка на протектора и след това завъртете бягащата пътека до желаната позиция.

СМАЗВАНЕ НА ПЪТЕКАТА

Бягащите пътеки вече са смазани със „Силиконово масло“ предварително. За да поддържане лентата за бягане, сме включили малка бутилка „Силиконова смазка“. "Силиконово масло смазка" трябва да се нанася върху бягащия плот равномерно през **50 работни часа**. Оставете силиконовото масло да се "разнесе" на бавна скорост за една минута, преди да използвате уреда.

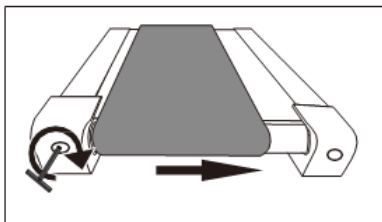
МНОГО ВАЖНО!!!:

Не слагайте свръх много смазка, защото лентата ще започне на приплъзва. Излишната смазка трябва да се избърше с чиста кърпа. Смазвайте редовно леко плота на 50 работни часа. В противен случай гаранцията ще отпадне и може да изгори мотора.

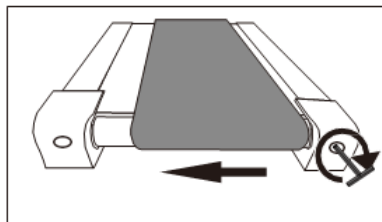


РЕГУЛИРАНЕ НА ЛЕНТАТА

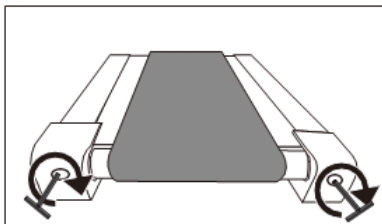
- а) Пуснете пътеката на скорост до 3 km / h да работи без да има някой на нея.
- б) Ако лентата се отклонява надясно, регулирайте болта отдясно: половината го завъртете по посока на часовниковата стрелка с помощта на шестограмен ключ и регулирайте болта от лявата половина, завъртете обратно на часовниковата стрелка (вижте снимка 1)
- в) Ако лентата се отклонява вляво, регулирайте болта вляво: завъртете го по посока на часовниковата стрелка с помощта на ключ и регулирайте болта от дясната половина, завъртете обратно на часовниковата стрелка (вижте снимка 2)
- г) Ако лентата не е отклонен, но преплъзва, регулирайте двата ляв и десен болт по равно по часовниковата стрелка, едната половина се завърта по посока на часовниковата стрелка, за да се затегне, или едната половина се завърти обратно на часовниковата стрелка, за да се разхлаби, ако коланът е твърде стегнат. (Вижте снимки 3 и 4)
- д) След регулиране проверете лентата и при необходимост я регулирайте допълнително.



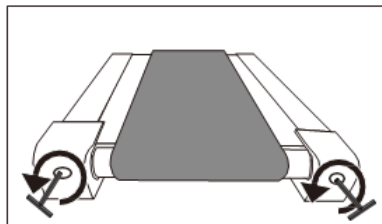
Снимка 1. Настройка за отклонение
вдясно



Снимка 2. Настройката за отклонение
вляво



Снимка 3. Затягане на лентата



Снимка 4. Разхлабване на лентата

Този тренировъчен уред е предназначен за домашно ползване. Уреда отговаря на изискванията на DIN EN 957-1/9 НС. Маркировката CE се отнася за Директива 89/336/ЕЕС на ЕС. Увреждане на здравето не може да бъде изключено, ако този уред не се използва по предназначение (например претрениране, неправилни настройки и др.)

2.1 Пакетаж

Природно съобразни и рециклируеми материали:

- Външната опаковка е от картон
- Отлятите части са от полистирол, без пяна CFS (PS)
- Опаковки и торбички от полиетилен (PE)
- Каиши от полипропилен (PP)
- Вътрешните части са от метал и пластмаса.

2.2 Изхвърляне: Моля, запазете опаковката за случаи на ремонт /гаранционен ремонт . Уреда не трябва да се изхвърля заедно с домашния боклук.

Уважаеми клиенти, Вие сте длъжни да предадете за рециклиране съответните материали от уреда:

- Външна опаковка (картон)
 - Отляти части от полистирол
 - Опаковки и торбички от полиетилен
 - Електрооборудване
 - Каиши от полипропилен
 - Уредът не трябва да се изхвърля заедно с домашния боклук
- За връзка с фирми за рециклиране на отпадъците се обърнете към вносителя!

ВНОСИТЕЛ ЗА БЪЛГАРИЯ:

СПОРТЕН СКЛАД БГ

Соларшоп ЕООД

гр. Пазарджик, ул. Димчо Дебелянов 5

E-mail: info@sportensklad.bg

www.sportensklad.bg